

# DIGITAL METAL DETECTION SYSTEM (PI-30E)



**SINGHANIA**<sup>®</sup>  
**TABLETING**

50 YEARS OF EXPERTISE

**ADEPT**

**CONCEPT**  
**ENGG.CO.**

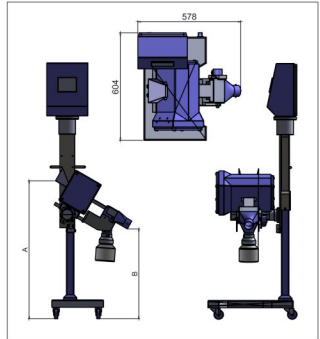
**Imperial**  
Pharmachines

**Pharmachure**  
INDIA

PI30-E Digital Metal Detector with best in class features can be combined with all makes of tablet press / capsule filling machines due to its wide range of height adjustment facility.

## SALIENT FEATURES

- Sophisticated digital signal processing to detect minute metal particles in addition to phase sensitive detection
- Buzzer & LED Indication on detection of metal contamination
- 3 level passwords
- LCD Bargraph/Numeric Display to monitor noise & signal
- Dual frequency version for iron tablets/capsules (optional)
- Product auto-tracking
- Continuous on line self check monitoring system
- Set parameter data retention on loss of power
- Auto product learning
- 100 product memory



## TECHNICAL SPECIFICATIONS

MODEL		PI - 30E	
Aperture Size (WxH)		95 mm x 22mm (can be customized)	
Sensitivity		0.4mm Ferrous, 0.5mm Non-Ferrous and 0.6mm SS (with spherical ball)	
Material of Construction		SS304	
Throughput		Up to 10,000 tablets/capsules per minute (depends on size and shape of tablet/capsule)	
Contacts for interlock		Floating relay	
Operating temperature		0° to 45°C Ambient	
Humidity		Max 95% RH	
Coil Position		Inlet Height (A)	Outlet Height B
Bottom Mounting	Minimum	540mm	215mm
	Maximum	870mm	545mm
Top Mounting	Minimum	885mm	570mm
	Maximum	1230mm	915mm