



Pharmachine INDIA

STRIP PACKING MACHINES



Strip Packing Machine are the result of several years of experience gained through conscious and painstaking efforts.

Machine designs have been constantly upgraded based on feedback from end users. Emphasis has been laid on reliability, operational convenience and simplicity of machine maintenance.

Standard models also available

Products

Tablets of various shapes and sizes, capsules, lozenges etc.

Packaging Materials

Heat sealable laminated foil such as aluminium / LDPE, cellphone etc.

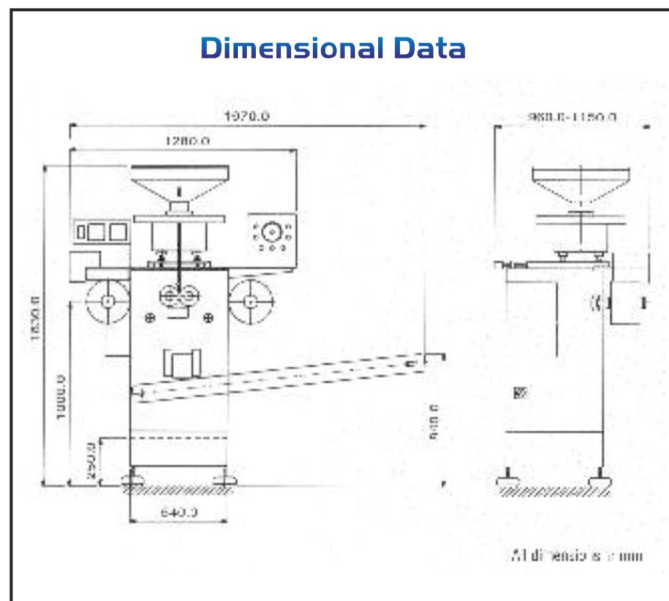
Technical Details

		DSP-6	DSP-8	DSP-10
Output (max) Tabs/min		1800	2400	3000
Foil Width (max)	mm	210	250	300
Motor Power	kw	0.37	0.56	0.56
Heating Load	w	2 x 1000	2 x 1200	2 x 1500
Machine Dimensions (unpacked)				
Height with Stand	mm	1830	1830	1830
Height without Stand	mm	1600	1600	1600
Width (Standard)	mm	1320	1320	1320
Depth	mm	1030	1100	1150
Machine Weight (approx)	kgs.	440	480	520

All electrical suited for 3 phase, 415 volts, 50 Hz supply.

Optional items

- Print registration control.
- Horizontal and Vertical perforations.
- Zigzag serrations and full cuttings.
- Pneumatic cutting system.
- Fitment of programmable Logic Controller (PLC).
- Synchronized batch coding, making unit dosage coding possible.
- Fitment of Ink-Jet printing system.
- Preforming rollers for special applications.
- Special cutting arrangements for BOPP material.
- Variable frequency drive for motor speed control.
- Non-fill detection system (NFD).
- Full stainless steel cladding with matt finish.
- Machine stand fitted with drip tray.



* Our policy being one of continuous development we reserve the right to alter dimensions and speed without prior notice.



52, Suyog Indl. Estate, LBS Marg, Vikhroli (W),
Mumbai - 400083, India. Tel.: +91[22] 25786007 / 25793111.
Fax: +91[22] 25771900 • E-mail: pi@pharmachine.com
Website: www.pharmachine.com

*Specifications subject to change without notice